



Products from
the world's leading
manufacturers.

nommo[®]



M

L

K

TIMKEN

TIMKEN

TIMKEN

TIMKEN

TIMKEN

TIMKEN

TIMKEN

TIMKEN

TIMKEN

TIMKEN

TIMKEN

TIMKEN

TIMKEN

TIMKEN

TIMKEN

TIMKEN

TIMKEN

TIMKEN

TIMKEN

TIMKEN

TIMKEN

TIMKEN

TIMKEN

TIMKEN

TIMKEN

TIMKEN

TIMKEN

TIMKEN

TIMKEN

TIMKEN

TIMKEN

TIMKEN

TIMKEN

TIMKEN

TIMKEN

TIMKEN

TIMKEN

TIMKEN

TIMKEN

TIMKEN

TIMKEN

TIMKEN

TIMKEN

TIMKEN

TIMKEN

TIMKEN

TIMKEN

TIMKEN

TIMKEN

TIMKEN

TIMKEN

TIMKEN

TIMKEN

TIMKEN

TIMKEN

TIMKEN

TIMKEN

TIMKEN

TIMKEN

TIMKEN

TIMKEN

TIMKEN

TIMKEN

TIMKEN

TIMKEN

TIMKEN

TIMKEN

TIMKEN

TIMKEN

TIMKEN

TIMKEN

TIMKEN

TIMKEN

TIMKEN

TIMKEN

TIMKEN

TIMKEN

TIMKEN

TIMKEN

TIMKEN

TIMKEN

TIMKEN

TIMKEN

TIMKEN

TIMKEN

TIMKEN

TIMKEN

TIMKEN

TIMKEN

TIMKEN

TIMKEN

TIMKEN

TIMKEN

TIMKEN

TIMKEN

TIMKEN

TIMKEN

TIMKEN

TIMKEN

TIMKEN

TIMKEN

TIMKEN

TIMKEN

TIMKEN

TIMKEN

TIMKEN

TIMKEN

TIMKEN

TIMKEN

TIMKEN

TIMKEN

TIMKEN

TIMKEN

TIMKEN

TIMKEN

TIMKEN

TIMKEN

TIMKEN

TIMKEN

TIMKEN

MIXED CASE
NSK
00010000143709

MIXED CASE
NSK
00010000143709

MIXED CASE
NSK
00010000143709

MIXED CASE
NSK
00010000143709

MIXED CASE
NSK
00010000143709

MIXED CASE
NSK
00010000143709

MIXED CASE
NSK
00010000143709

MIXED CASE
NSK
00010000143709

MIXED CASE
NSK
00010000143709

MIXED CASE
NSK
00010000143709

MIXED CASE
NSK
00010000143709

MIXED CASE
NSK
00010000143709

MIXED CASE
NSK
00010000143709

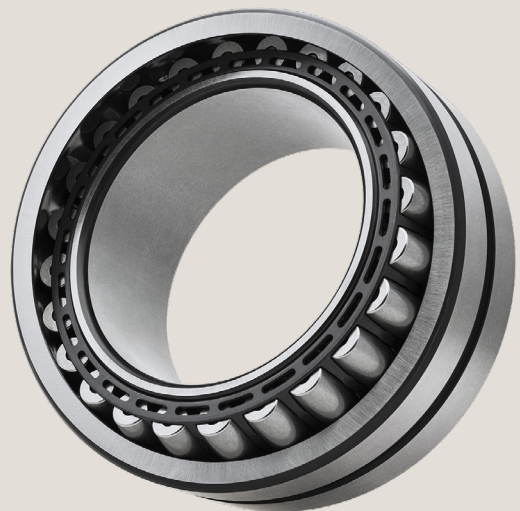
MIXED CASE
NSK
00010000143709

MIXED CASE
NSK
00010000143709

Nomo – your multibrand specialist.

For over 75 years, Nomo has been solving the industries' technical challenges in shaft-related areas: bearings, power transmission, seals and more. Built on a strong foundation in these core fields, we have continuously expanded our expertise to include industrial automation and maintenance.

As an independent supplier representing multiple brands, we tailor our offering to the unique needs and prerequisites of each customer. We provide innovation and products from the world's leading manufacturers and ensure fast and reliable deliveries. Let's find the right solution for you together — get in touch anytime!





Ball bearings



Miniature bearings



Angular contact bearings



Self-aligning ball bearings



Spherical plain bearings
stainless steel



Cylindrical roller bearings



Tapered roller bearings



Thrust bearings



Sealed spherical roller bearings



Bearings with solid lubrication



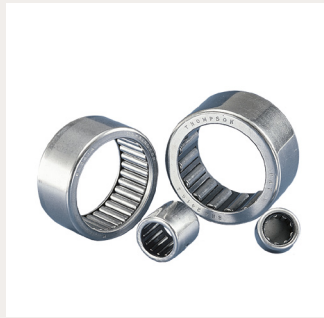
Super precision bearings



Hybrid Bearings



Thin section bearings



Needle bearings



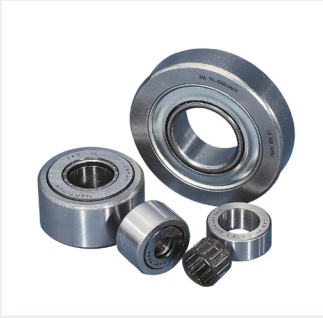
Thrust needle bearings



Cam followers



Spherical roller bearings



Track rollers



Roller clutches



Plummer blocks



Customized products



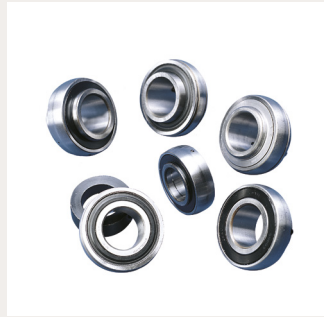
Self clinching bearings



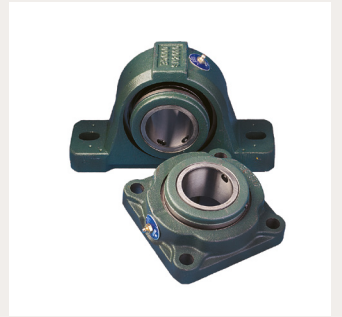
Housing units



Housing units, stainless steel & composite



Insert bearings



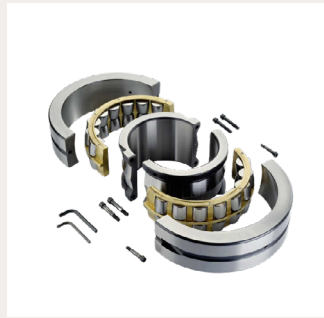
House units with spherical roller bearings



Stainless housed units



Split cylindrical bearings & housings



Split spherical roller bearings



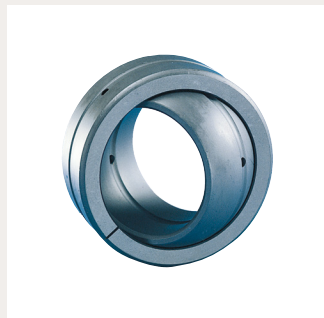
Solid block housed unit



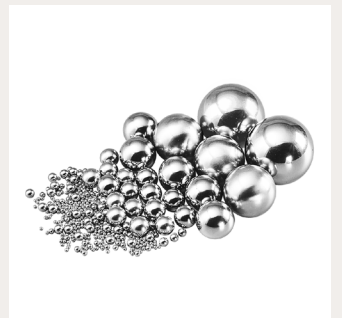
Sleeves



Nuts & washers



Spherical plain bearings



High precision balls



Slew drives



Slewing rings



Spherical plain bearings
maintenance free



Rod ends



Machined bronze bearings



Wrapped bronze bushings



Metal-polymer plain bearings POM



Engineered plastic plain bearings



Metal-polymer plain bearings PTFE



Fiber-reinforced composite bearings



Steel bushings



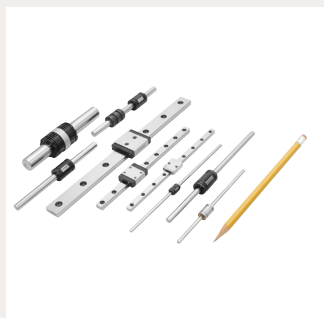
Ball bushings



Linear guides



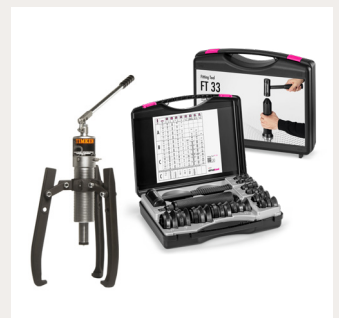
Ball screws & leadscrews



Miniature linear, stainless steel



Induction heaters



Tools



Roller chains



Lubricants & lubricant systems



Pneumatic components



Leaf chains



Conveyor chains



Chain sprockets



V-belts



Timing belts



Poly-V belts



Pulleys



Worm geared motors



Geared motors



Taper lock bushings



Flexible couplings



Torsionally stiff couplings



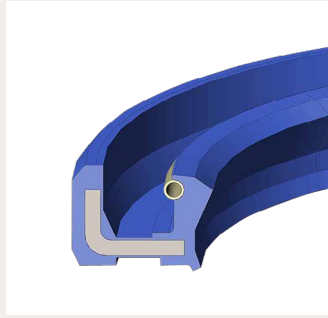
Torque limiters



Locking elements



Conveyor system components



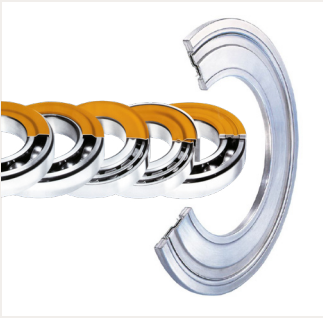
Radial shaft seals



Shaft repair



V-rings



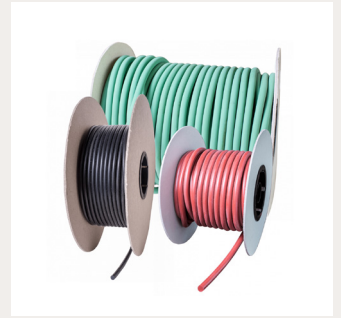
Nilos-rings



Gaskets



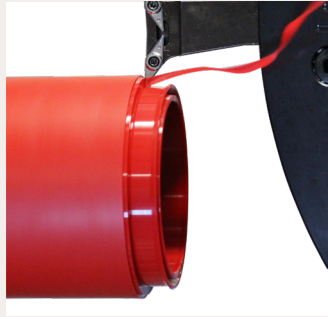
O-rings, X-rings



O-ring cords



Compression packings



Machined seals



Hydraulic seals



Seal kits



Cassette and combi seals



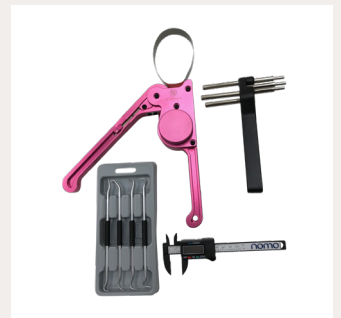
Mechanical face seals



Mechanical seals



Bellows



Tools for seals

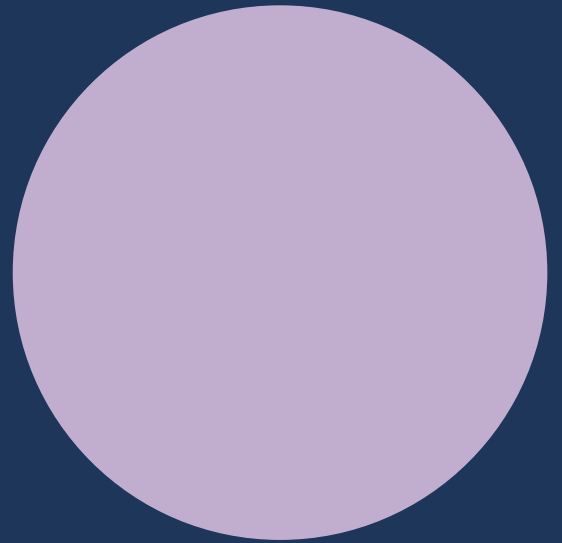
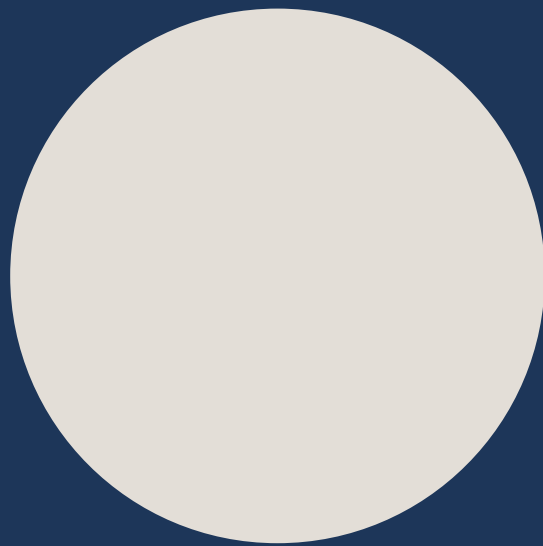


Our services

One Day Delivery - Ball screws & Linear guides
 Bearing inspections & Mounting
 Bearing recycling & Bearing repair
 Chock service
 Gearbox service & Pump service
 Field service
 Laser alignment
 Metal and welding technology
 Metal lathe, metal cutting, arbor drilling

Condition monitoring & Analysis
 Customized seal manufacturing
 Inhouse application engineers & CAD
 Documented cost savings
 Education





Nomo – your multibrand specialist.

We are an independent supplier representing multiple brands, allowing us to tailor our offering to the unique needs and prerequisites of each customer. We provide innovation and products from the world's leading manufacturers and ensure fast and reliable deliveries. Get in touch with us to learn more.